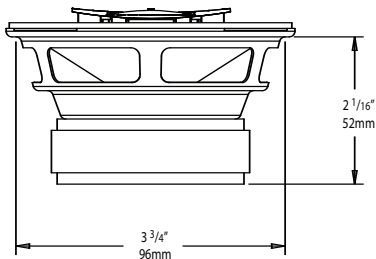
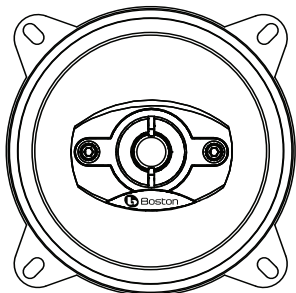




SE45 Speakers Include:

- 8 x Phillips Head Screw
- 8 x Spring Clip
- 2 x Terminated Speaker Wire
- 4 x 16/18 AWG. Connector Barrel

SE45 4-inch (100mm) Coaxial Speakers



Specifications:

	SE45
Nominal Size	4" (100mm)
RMS Power Handling	35w
Peak Power Handling	80w
Frequency Response (± 3 dB)	90-20kHz
Impedance	4 Ω
Sensitivity (1w/1M)	92dB

Boston Acoustics, Inc. 300 Jubilee Drive Peabody, Massachusetts 01960 U.S.A. bostonacoustics.com

© 2011 All rights reserved. Boston, Boston Acoustics, and the B/A ellipse symbol are registered trademarks of Boston Acoustics, Inc. Specifications are subject to change without notice.

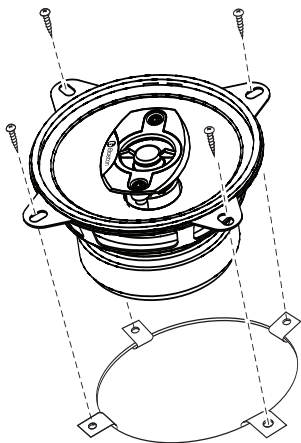
142-003902-0

SE45

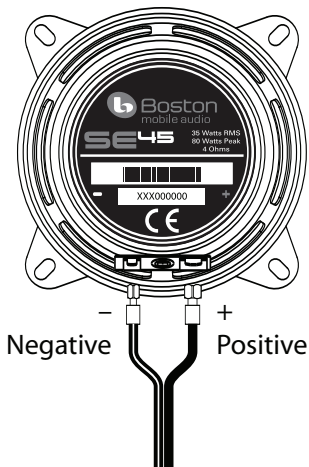


SE45 4-inch (100mm) Coaxial Speakers

Installation



Wiring



SE45